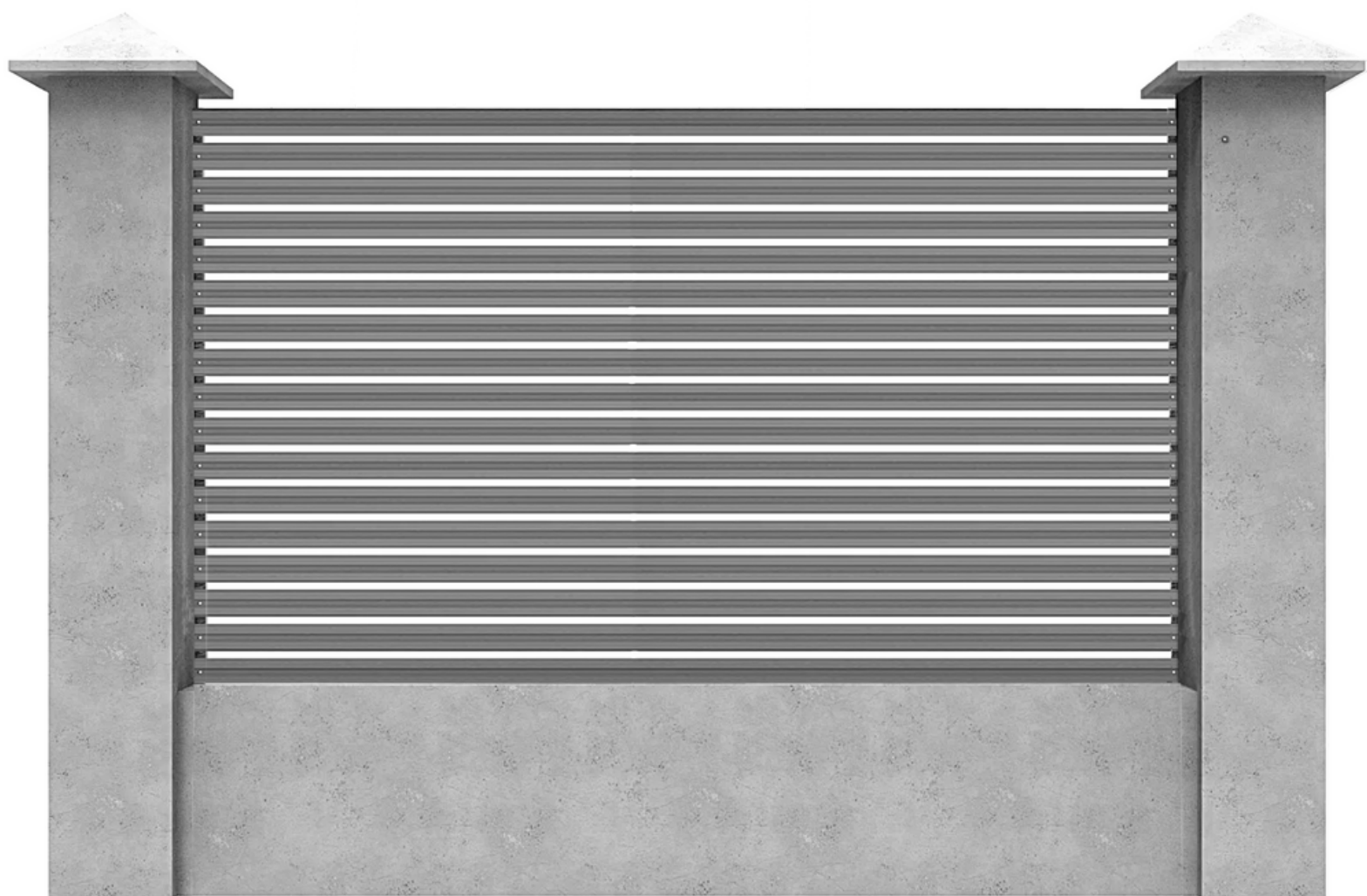




ÁRVAI
KERÍTÉS

METAL PICKET FENCE SIMETRICA



ASSEMBLY INSTRUCTIONS

INCLUDED ELEMENTS

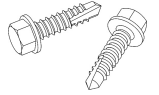
SELF-DRILLING SCREWS

50 PCS. (h) PICKET \leq 1.50m

[the required quantity for fastening
in 2 fixing points / picket]

75 BUC. (h) SIPCA $>$ 1.50m

[the required quantity for fastening
in 2 fixing points / picket]

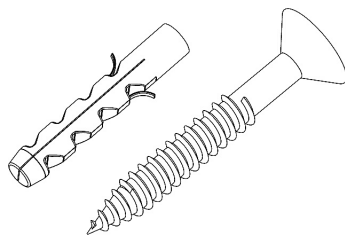


METAL PICKETS SIMETRICA

25 PCS.

[the required quantity for
approximately 3 meters of fence cu
distanța de 1cm între șipci]

THE SET DOESN'T INCLUDE

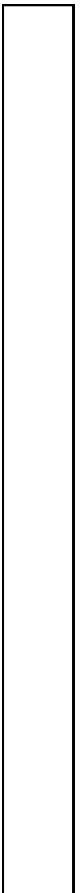


PLUGS + SCREWS

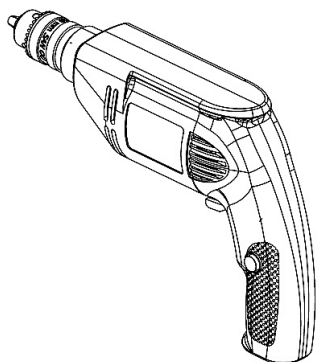
(for fastening the
Rectangular Pipe on
the concrete / brick
pillars)

RECTANGULAR PIPE

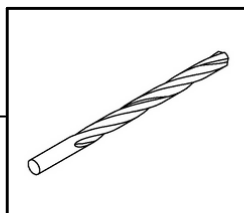
(30mm x 20mm)



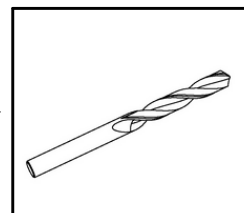
NECESSARY TOOLS



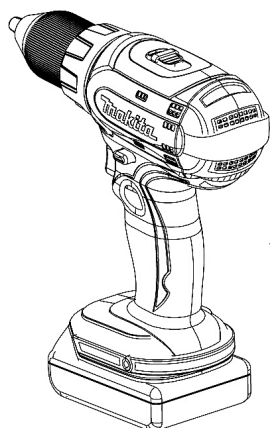
**DRILLING
MACHINE**



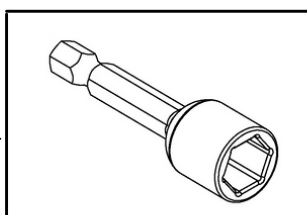
**Drill \varnothing 7/8
for METAL**



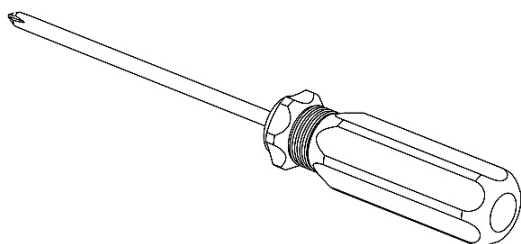
**Drill \varnothing 10 for
CONCRETE**



SCREWDRIVER



**Tubular Key
 \varnothing 4**



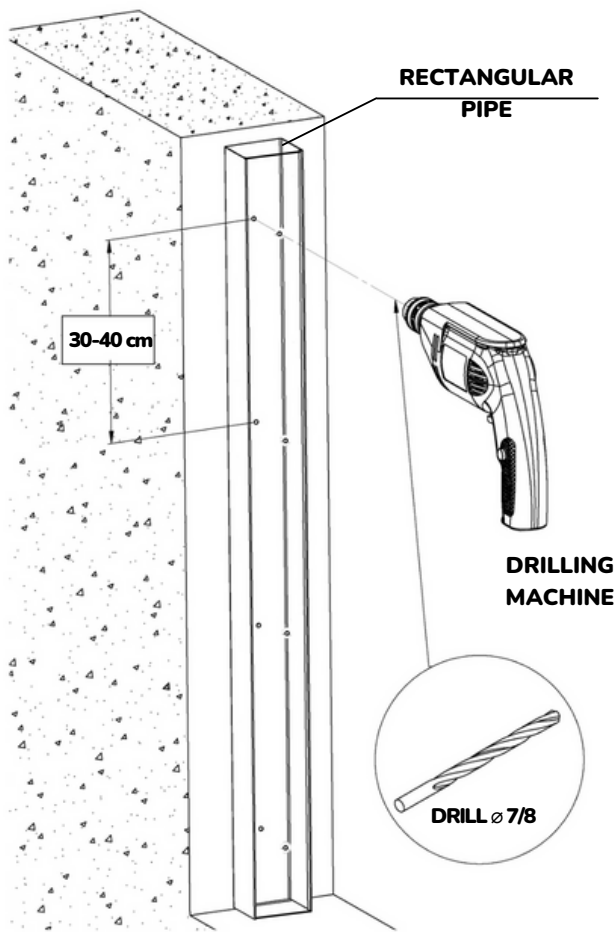
**STAR-HEAD
SCREWDRIVER | PH2**



LEVELER

RECTANGULAR PIPE INSTALLATION

Concrete / Brick Pillars



- 1 Position the Rectangular Pipe on the post.

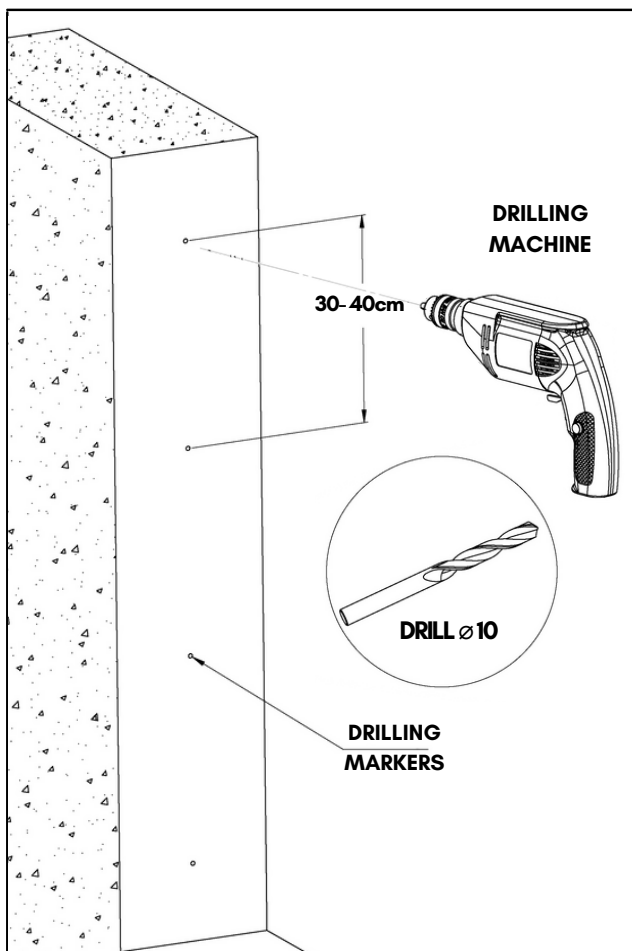
No spacing is required for the Rectangular Pipe from the base.

- 2 While maintaining the position of the Rectangular Pipe on the post, use a **drill** with a metal drilling bit ($\varnothing 7/8$) to **drill holes** through the Rectangular Pipe into the post at intervals of 30-40cm.



Hold the rectangular pipe firmly in place throughout the drilling process to prevent it from shifting or repositioning.

Drilling the Rectangular Pipe in position on the post will leave the necessary reference marks for the subsequent drilling of the post.



- 3 After finishing the drilling process, remove the Rectangular Pipe from the post.

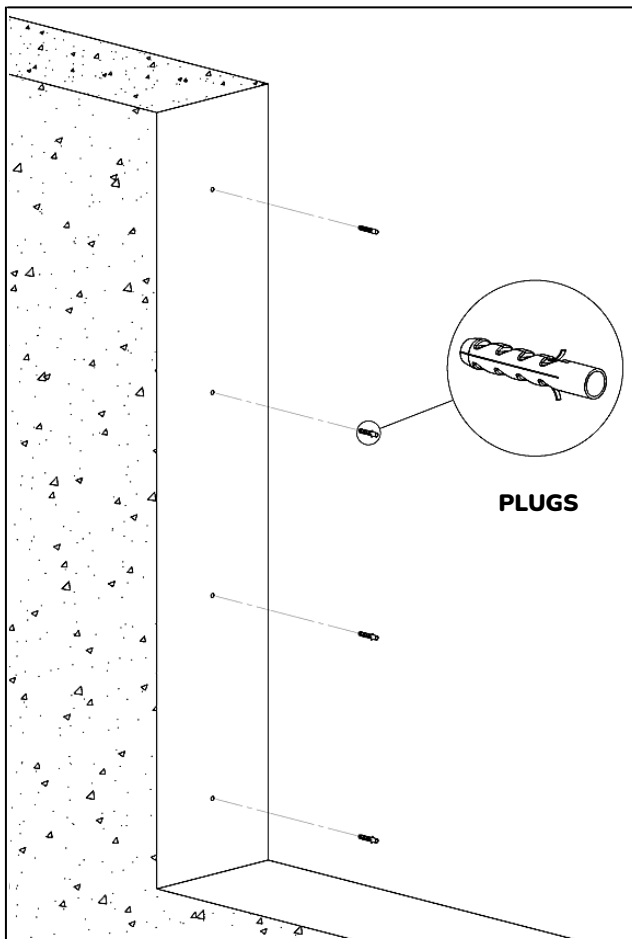
You will notice the reference points (spaced at intervals of 30-40cm) that will serve as markers for drilling the post in the next step.

- 4 Using a drill with a 10mm ($\varnothing 10$) concrete drill bit, drill the post following the marked reference points.

**REPEAT THE STEPS ABOVE FOR THE
INSTALLATION OF THE RECTANGULAR PIPE ON
THE RIGHT SIDE.**

RECTANGULAR PIPE INSTALLATION

Concrete / Brick Pillars



5

Insert the plugs into the post holes that were drilled in the previous step.

6

Position the Rectangular Pipe on the post. Make sure the post fixing holes and those of the rectangular pipe are aligned.

7

Using a star-head or PH2 screwdriver, insert the plug screws into the aligned holes and tighten them securely by screwing them in.



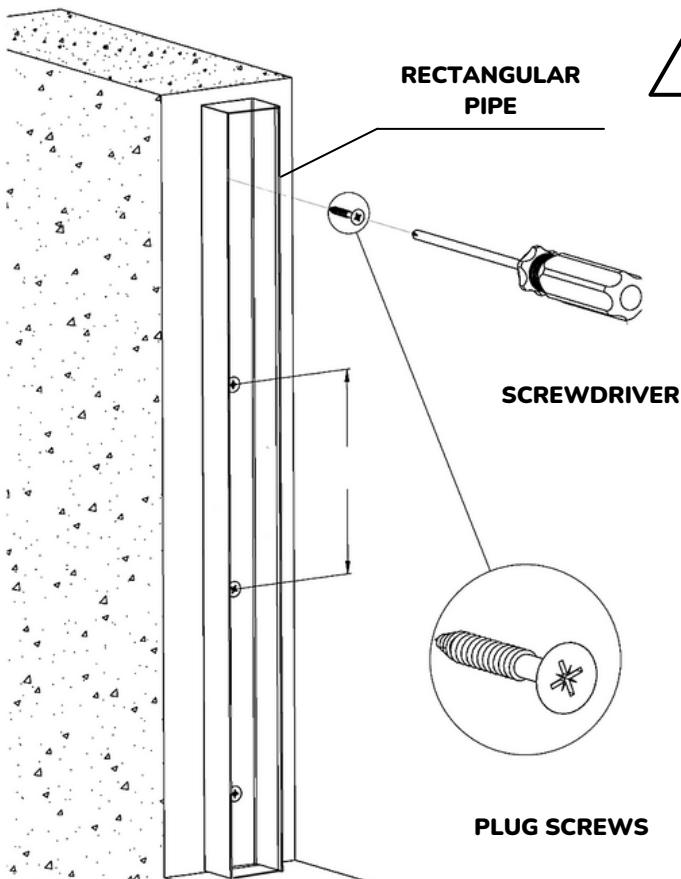
Hold the rectangular pipe firmly in place throughout the screwing process to prevent it from shifting or repositioning.

**REPEAT THE STEPS ABOVE
FOR THE INSTALLATION OF
THE RECTANGULAR PIPE ON
THE RIGHT SIDE.**

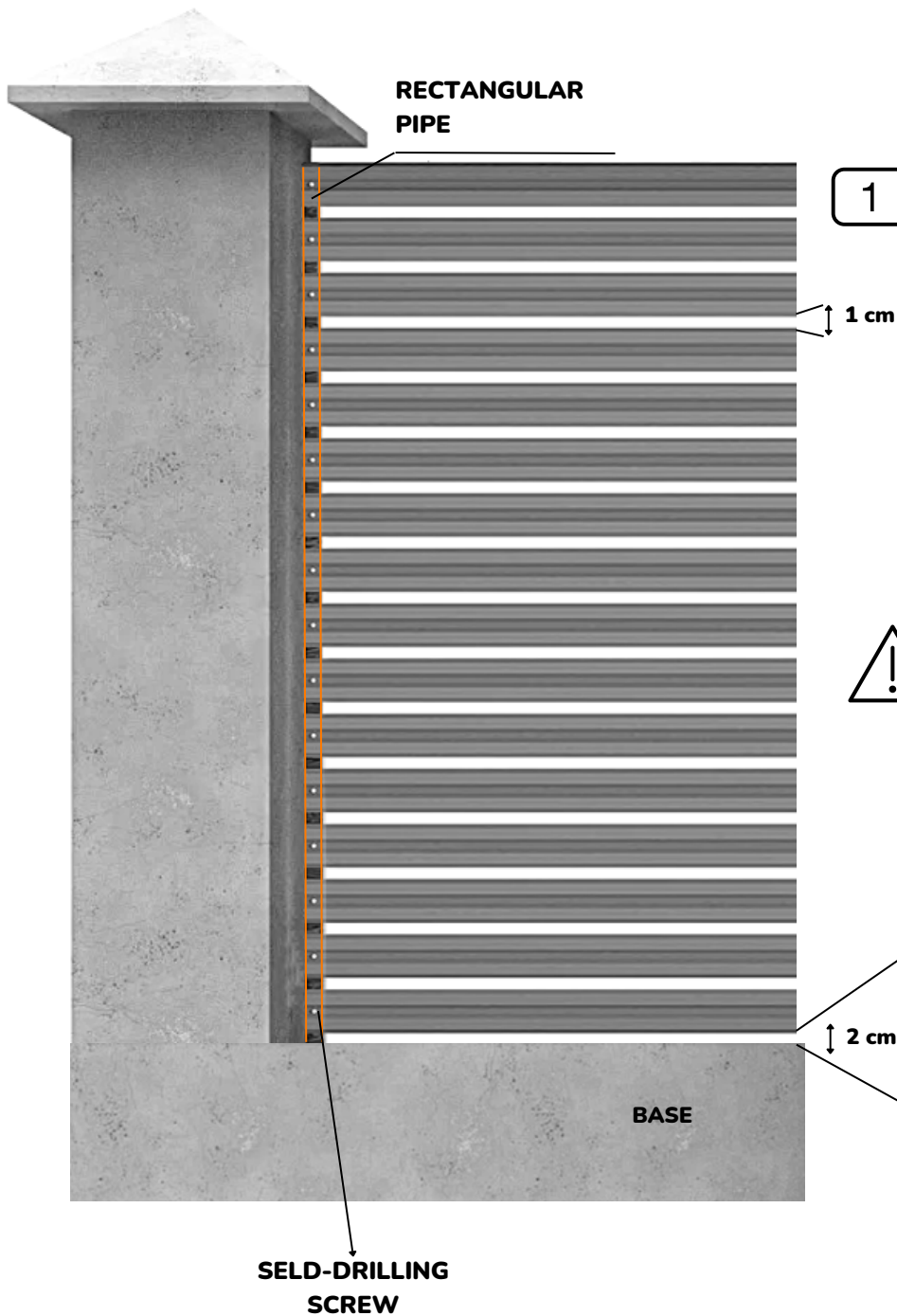
Metal Picket Fence Simetrica requires intermediate supports (pillars/posts) installed at the center of each panel.

The required number of intermediate supports (pillars/posts) depends on the length of the picket fence.

- 0.30m - 1.59m = 0 pcs. support
- 1.60m - 2.0m = 1 pcs. support
- 2.0m - 3.0m = 2 pcs. support



ASSEMBLY



1

Start the assembly of the metal pickets from the bottom, working your way up.



It is important to use a leveler during the installation of the first metal picket. The leveler will ensure the horizontal alignment of the profile. It is recommended to leave a spacing of 2cm from the base.



2

Position the Metal Pickets horizontally between the existing vertical Rectangular Tubes or the ones installed in the previous step.

3

Using an screwdriver machine with an 8mm socket, screw the Metal Pickets into the center of the vertical metal rectangular pipes.



Hold the profiles firmly in place throughout the process to prevent them from shifting or repositioning.