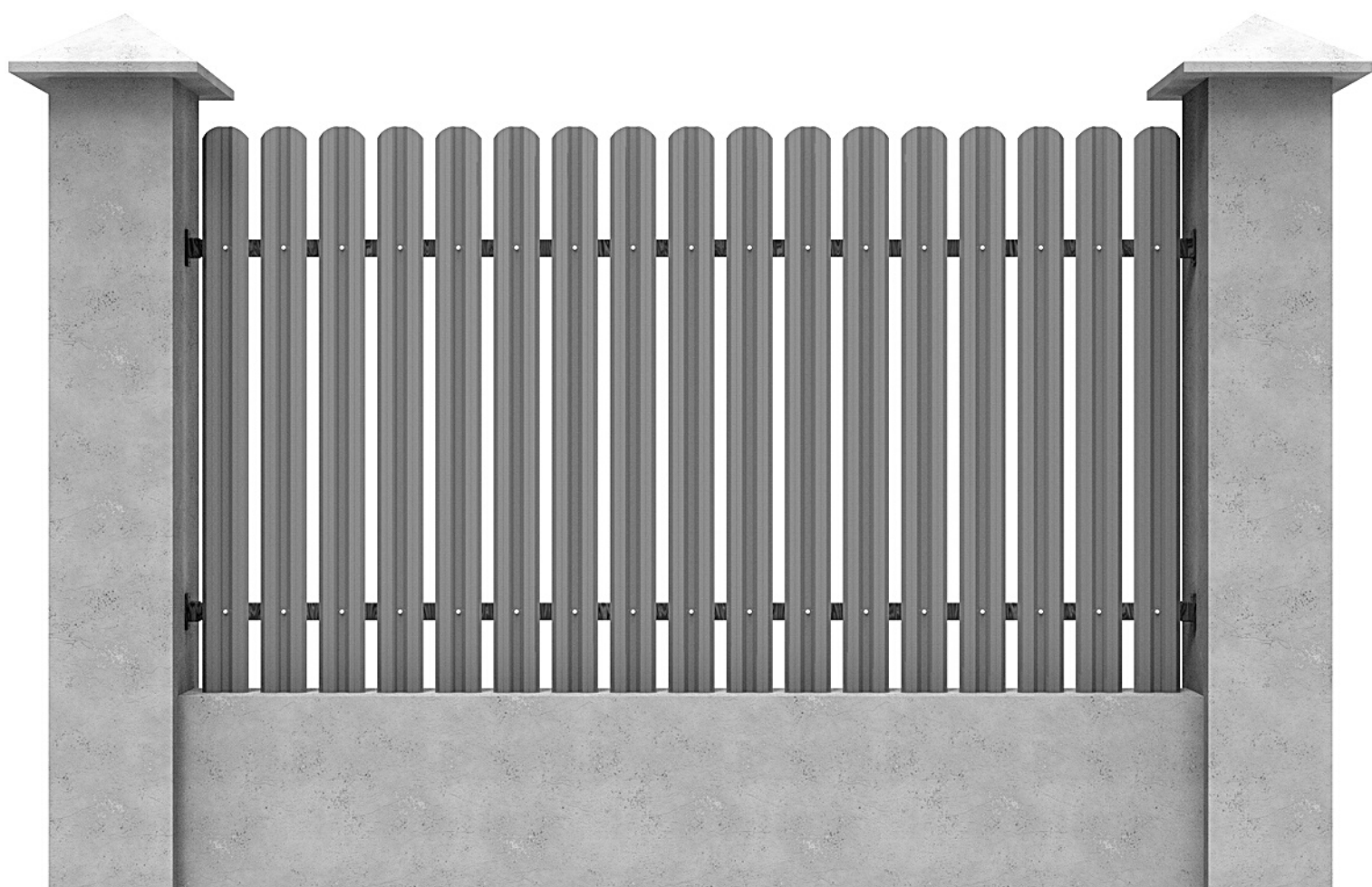




ÁRVAI
KERÍTÉS

METAL PICKET FENCE

TISA



ASSEMBLY INSTRUCTIONS

INCLUDED ELEMENTS

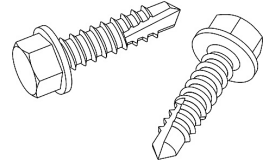
SELF-DRILLING SCREWS

50 PCS. (h) PICKET \leq 1.50m

[the required quantity for fastening
in 2 fixing points / picket]

75 PCS. (h) PICKET $>$ 1.50m

[the required quantity for fastening
in 3 fixing points / picket]

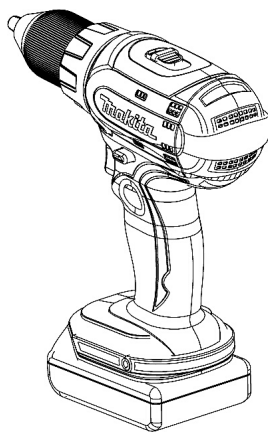


METAL PICKET TISA

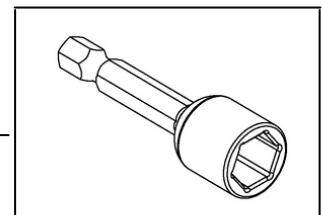
25 PCS.

[the required necessary for approximately 3 meters of fence
with a distance of 1cm between pickets]

NECESSARY TOOLS

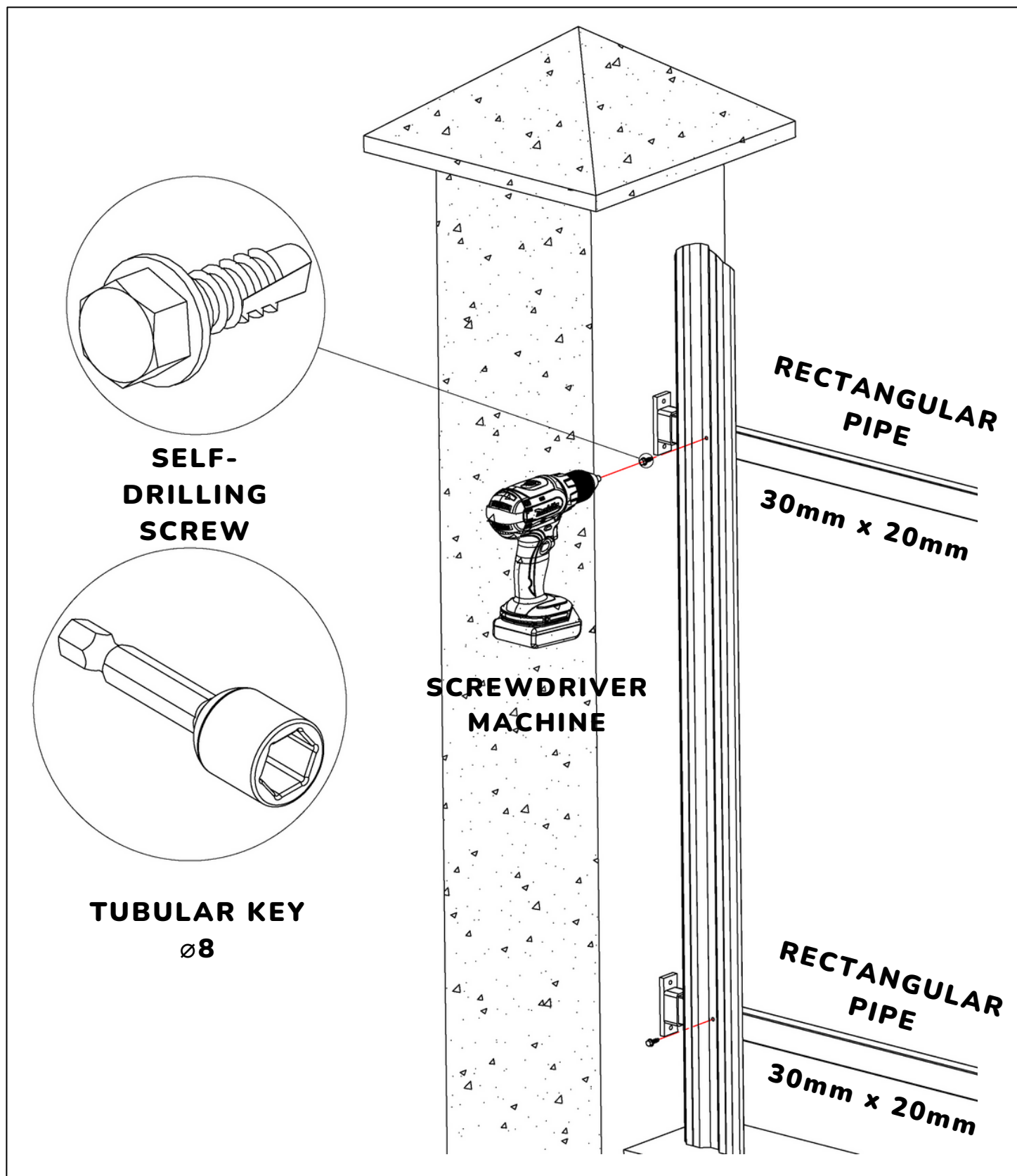


**SCREWDRIVER
MACHIE**



Tubular Key
 $\varnothing 8$

ASSEMBLY



1

Position the Metal Picket vertically onto the metal rectangular pipes.

2

Using the Screwdriver Machine with a tubular key of 8, screw in the Metal Picket with the included self-drilling holes.



Hold the profiles firmly in place throughout the screwing process to prevent them from shifting or repositioning.